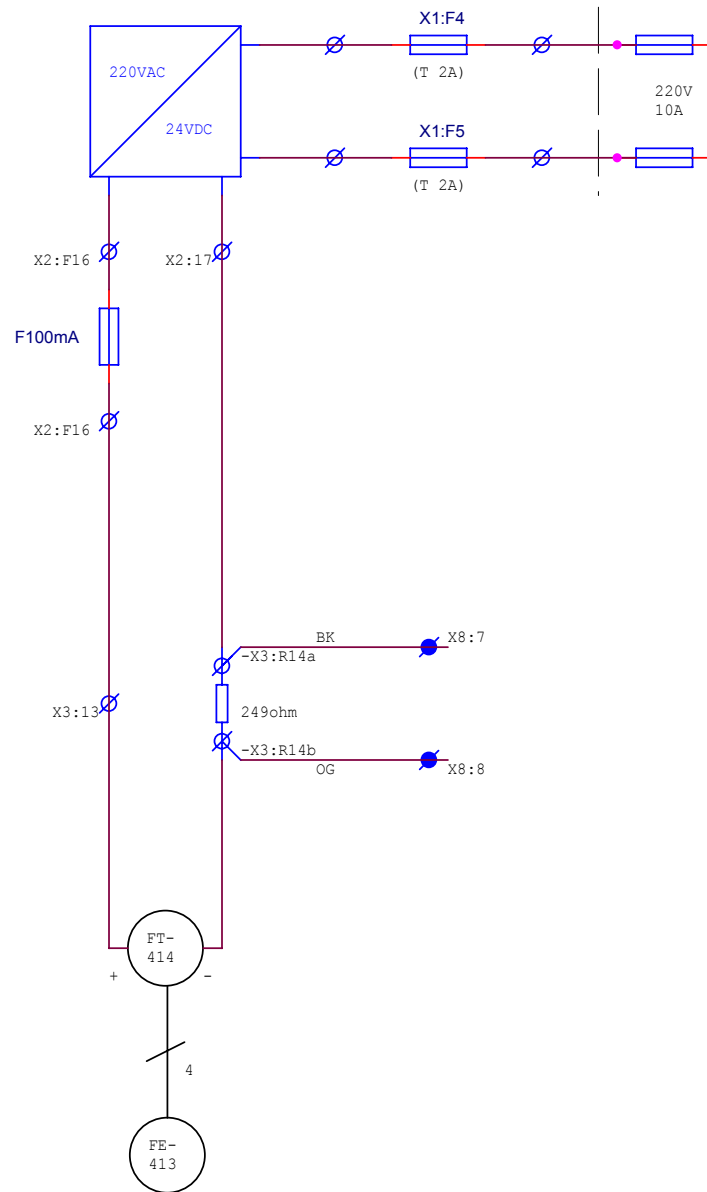
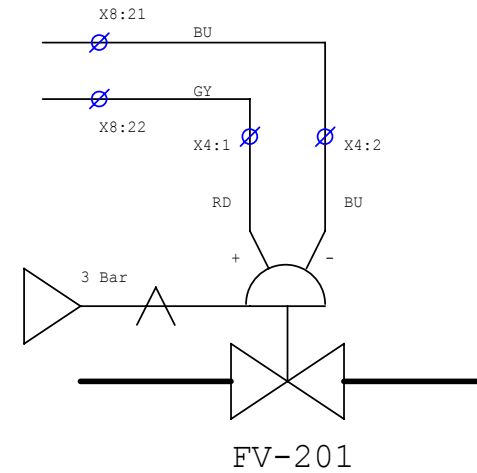


El.mag. Flow meter



Percentual Valve



Department of engineering cybernetics, NTNU by Rune Mellingseter		
Title El.mag. Flowmeter & Percentual valve		
Size A4	Document Number Strømningslab, Page6	Rev
Date: Wednesday, January 22, 2003	Sheet 1	of 1