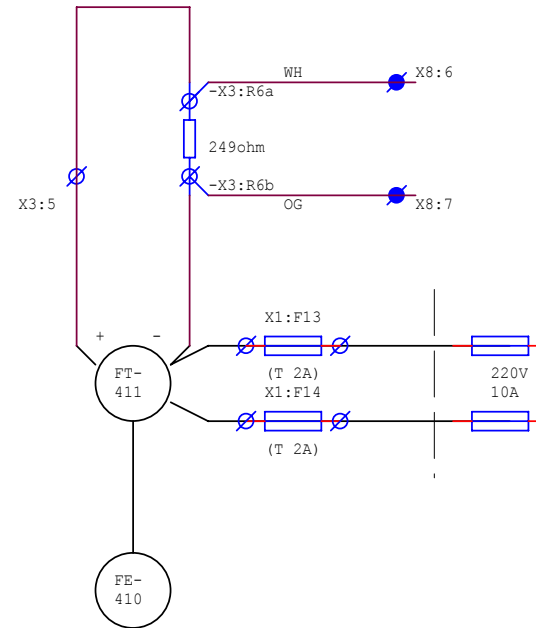
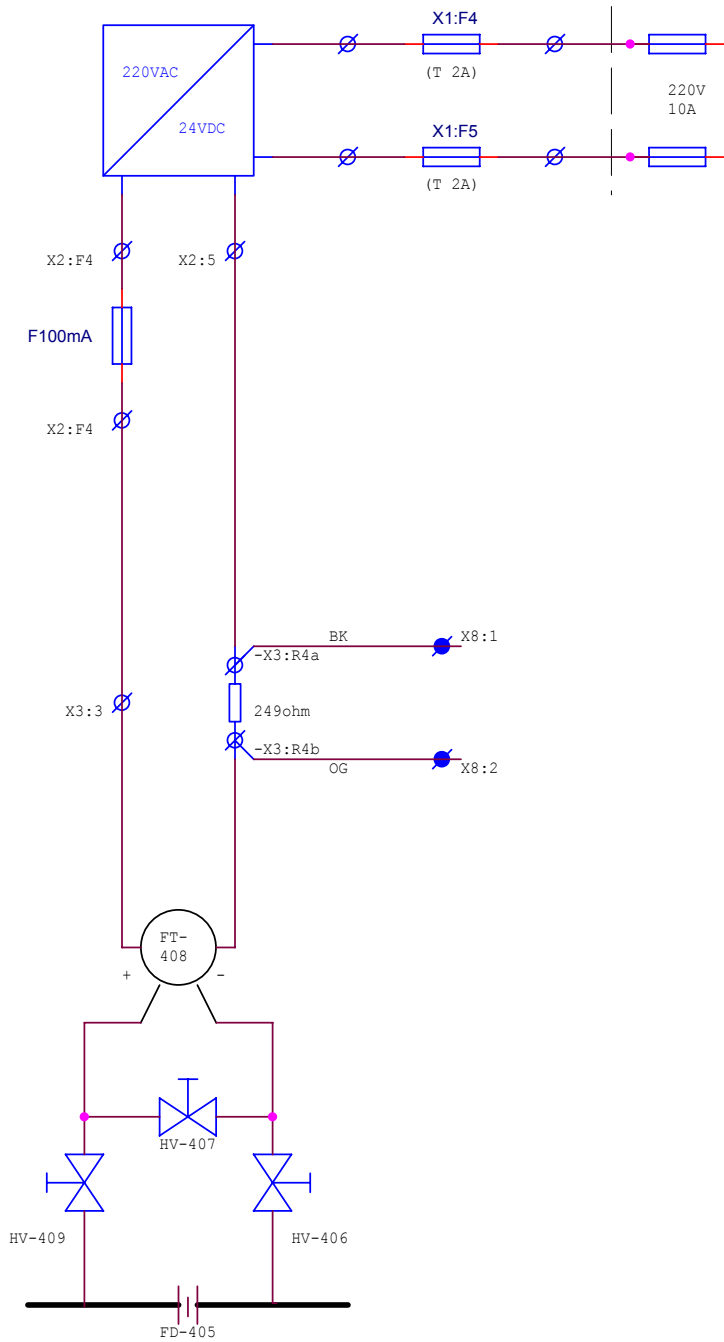


Orifice plate and DP-cell

Coriolis Flow meter



Department of engineering cybernetics, NTNU by Rune Mellingseter		
Title Orifice plate & Coriolis		
Size A4	Document Number Strømningslab, Page5	Rev
Date: Tuesday, January 21, 2003	Sheet 1	of 1