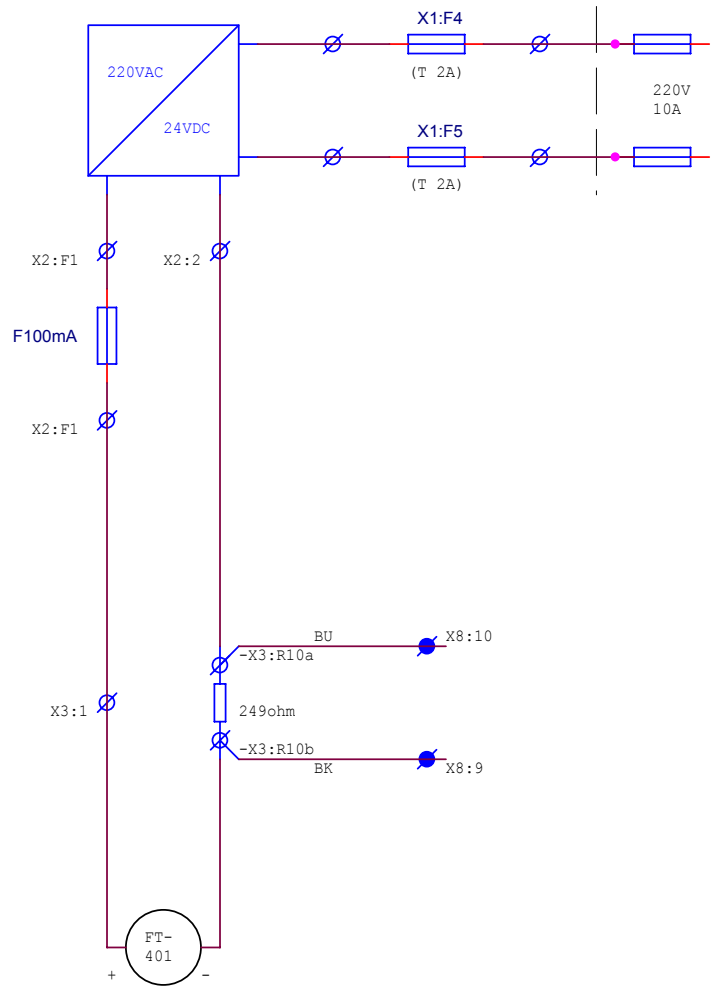
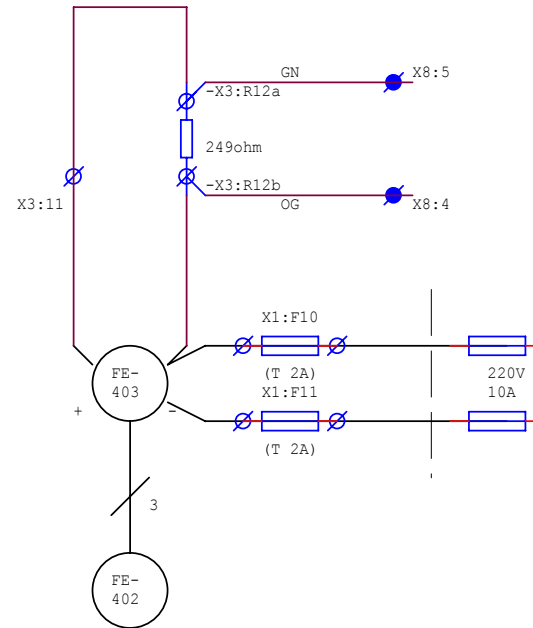


Vorteks Flow meter



Turbinmeter



Department of engineering cybernetics, NTNU by Rune Mellingseter		
Title Vorteks & Turbinmeter		
Size A4	Document Number Strømningslab, Page4	Rev
Date: Tuesday, January 21, 2003	Sheet 1	of 1