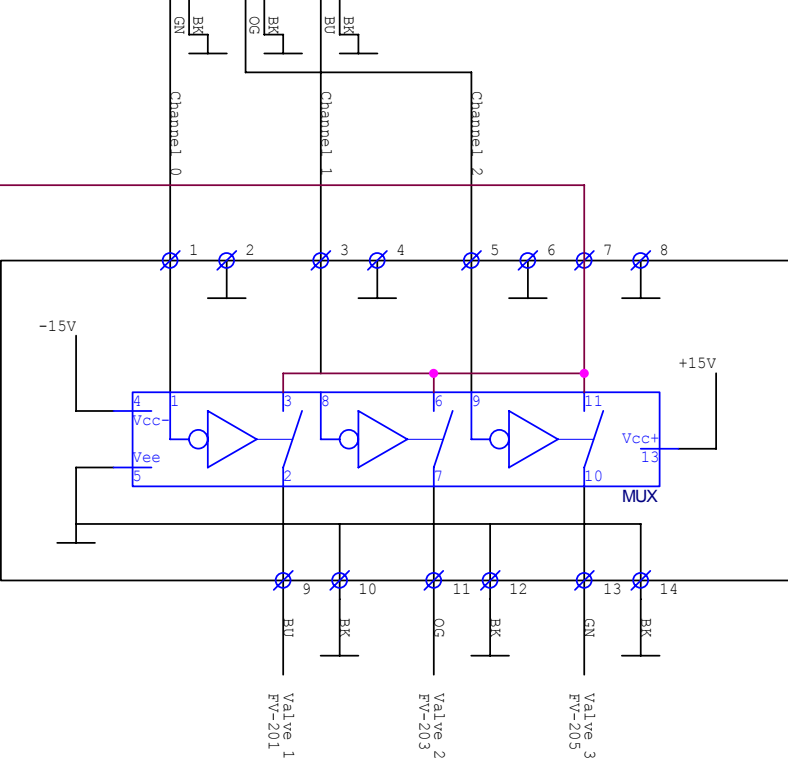
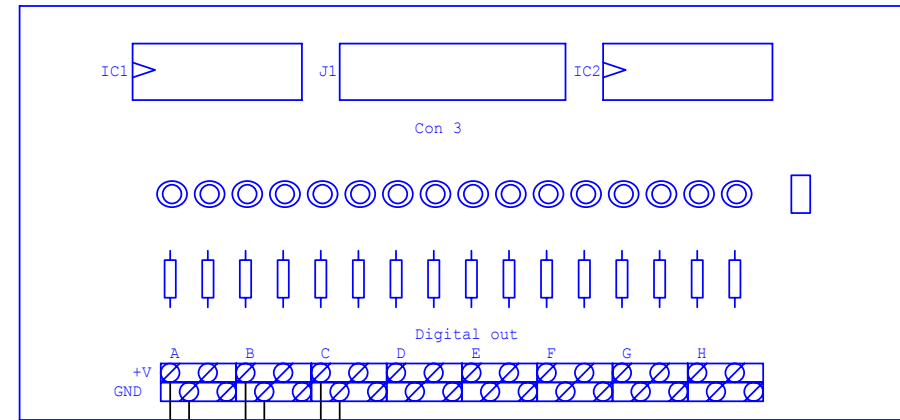


- Channel 0 Vorteks X3:R2b
- Channel 1 Orifice X3:R4b
- Channel 2 Coriolis X3:R6a
- Channel 3 PT-100 X3:R8b
- Channel 4 Waterpressure X3:R10a
- Channel 5 Turbimeter X3:R12b
- Channel 6 El.magnetic X3:R14b
- Channel 7 El.magnetic ref. X3:R16b
- Channel 8 Valve X3:R18b



Department of engineering cybernetics by Rune Mellingseter		
Title I/O connections		
Size A4	Document Number Strømningslab, Page14	Rev
Date: 2	Wednesday, January 22, 2003	Sheet 1 of 1