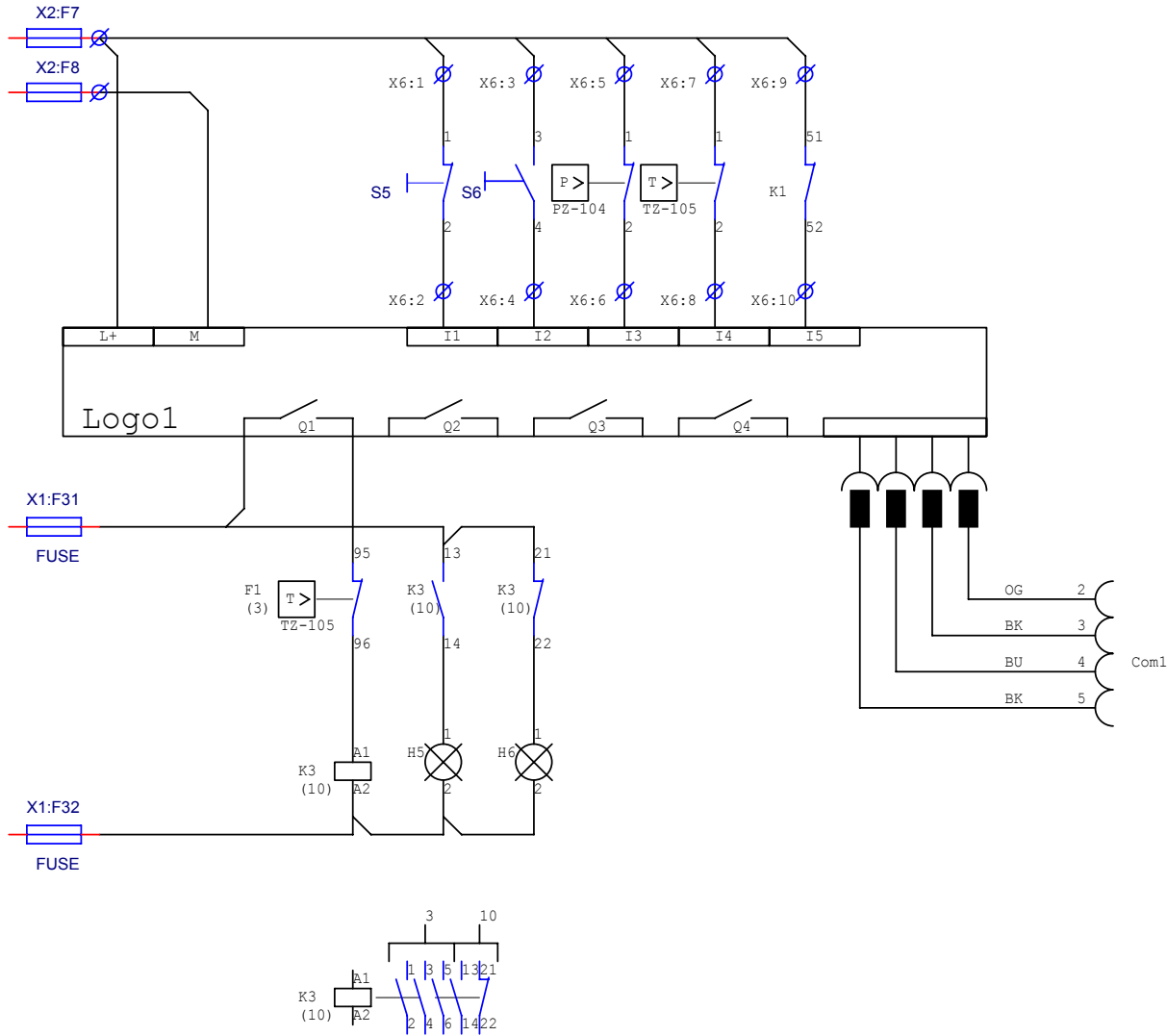
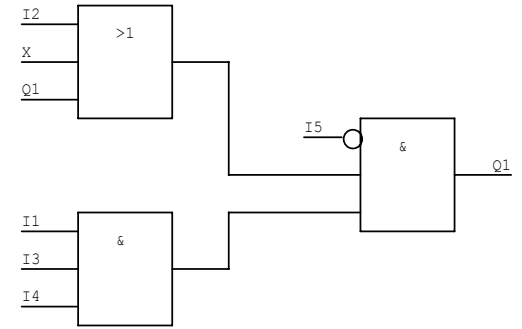


# Start/Stop and latching of pump



# Programming Logo1



Department of engineering cybernetics by Rune Mellingseter		
Title Logo1-connections		
Size A4	Document Number Strømningslab, Page13	Rev
Date: 2	Wednesday, January 22, 2003	Sheet 1 of 1