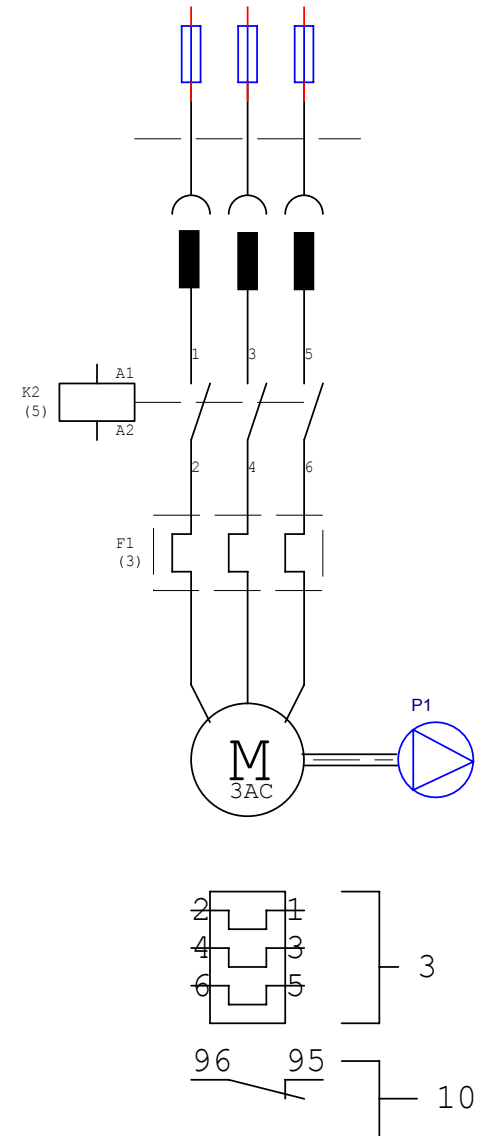
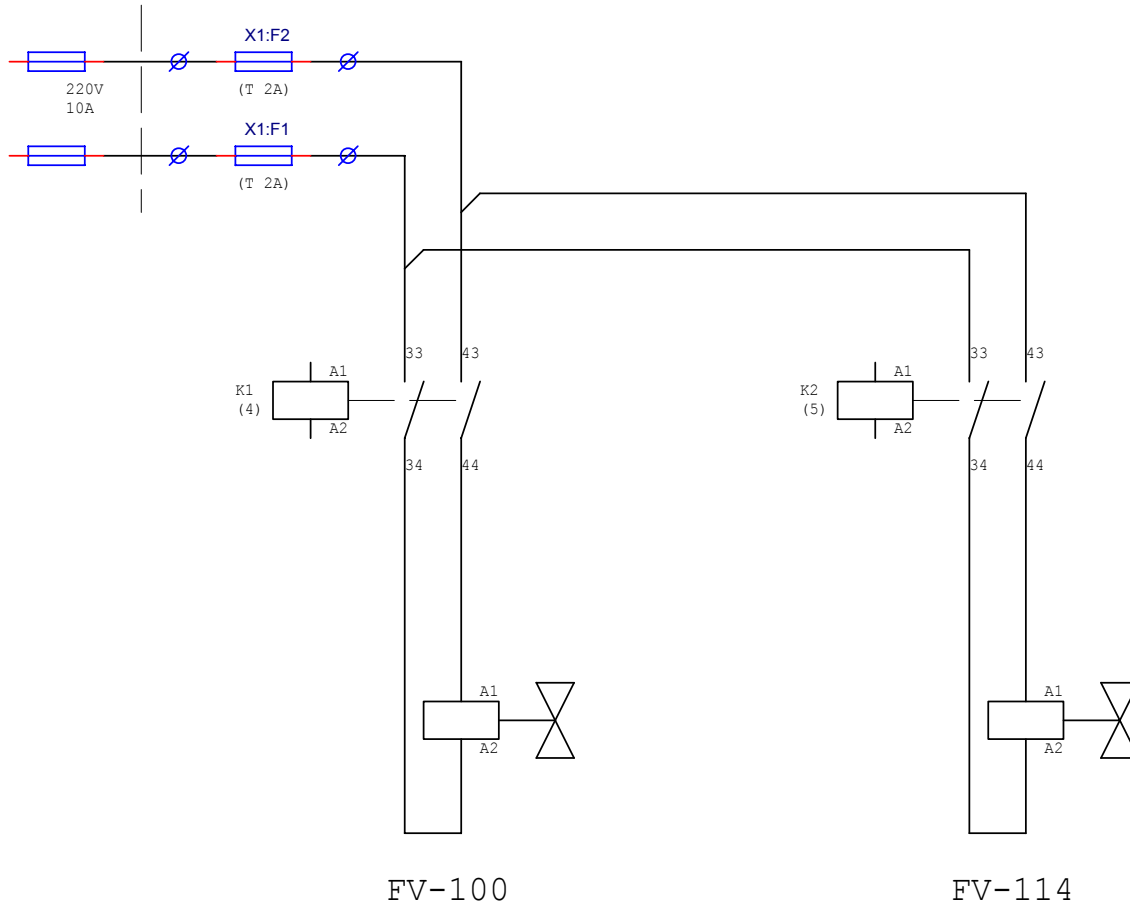


Solenoidvalve
for cold water

Solenoidvalve
for hot water

Waterpump



Department of engineering cybernetics by Rune Mellingseter		
Title Solenoid valve & pump		
Size A4	Document Number Strømningslab, Page11	Rev
Date: Tuesday, January 21, 2003	Sheet 1	of 1