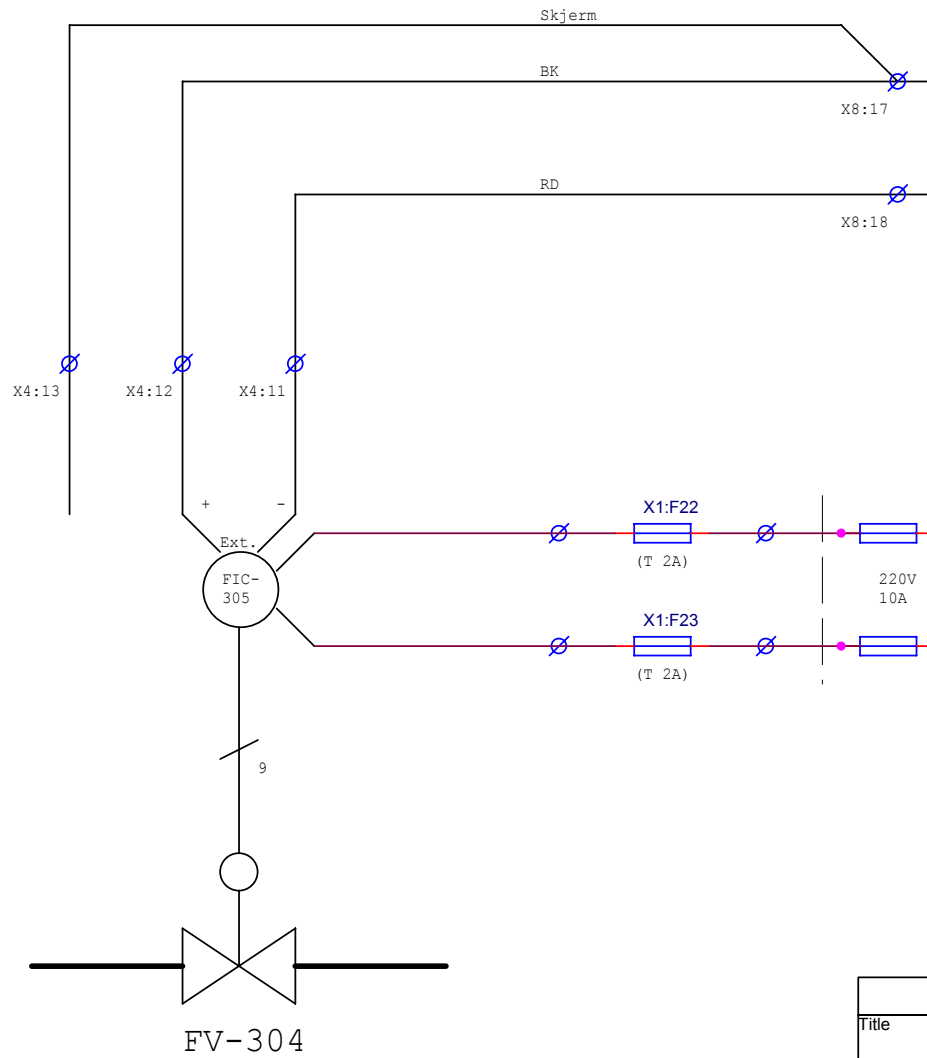


Airflow-control



Department of engineering cybernetics Airflow-control by Rune Mellingseter		
Size	Document Number	Rev
A4	Strømningslab, Page10	
Date:	Tuesday, January 21, 2003	Sheet 1 of 1